

Floating Only

Angle-Tap Glueless Installation Instructions

I. PRE INSTALLATION GUIDELINES

These installation guidelines apply to the COREtec® Angle Tap product. All instructions and recommendations should be followed for a successful installation.

For full recommendations, care and maintenance, visit: <http://www.usfloorsllc.com/technical-info/>

Required Tools: Tape Measure, Utility Knife, Jigsaw, Tapping Block or Rubber Mallet, Pull Bar, ¼" Spacers, T-Square, Safety Glasses, Broom or Vacuum and, if necessary, tools for subfloor repair.

- Frequently moved furniture should be equipped with felt pads to avoid scratching the floor. Heavy furniture and appliances should be equipped with non-staining large surface floor protectors. Furniture with castors or wheels must be easy swiveling, large surface non-staining and suitable for resilient floors. Do NOT use ball type castors as they can damage the floor.
- This product can be installed on, above, or below grade.
- COREtec® floor covering is an interior product and must be stored/installed in a temperature-controlled interior environment, maintained between 55 and 85 degrees F or 13°-29°C.
- Excessive moisture in the subfloor could promote mold, mildew, and other moisture related issues that will contribute to an unhealthy indoor environment. USFloors is not responsible for damages related to these moisture issues. USFloors recommends a 6 mil polyfilm when installing over concrete subfloors.
- Avoid prolonged exposure to direct sunlight as this will result in discoloration and expansion. The use of drapes, blind systems or protective window film is required.
- Flooring should be installed after all other trades have completed work that could damage the flooring.
- All subfloor patching must be completed with a Portland based compound and fully dried/cured prior to installation.

- Inspect all planks for damage prior to installation. If you have any concerns about the product fit or finish, call USFloors Tech Services at 800.250.6690 Claims>Returns will not be accepted for any flooring that has been cut to size and/or installed.
- Blend and install planks from several cartons.

II. SUBFLOOR PREPARATION

All subfloors must be clean, flat, dry and structurally sound. Proper subfloor preparation is a major part of a successful installation. Subfloor must be flat – 3/16" in 10' or 1/8" in 6'. For all subfloor prep and specifications, visit: <http://www.usfloorsllc.com/wp-content/uploads/2014/07/USF-COREtec-Plus-Angle-Tap-Installation-Instructions.pdf>

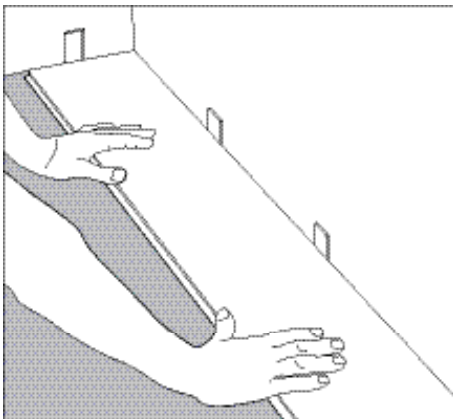
A. Over Existing Floors

- Installation is NOT allowed over any type of carpet.
- COREtec® flooring can be installed over most existing hard-surface floor coverings, provided that the existing floor surface is clean, flat, dry and structurally sound.
- Existing sheet vinyl floors should not be heavily cushioned. Soft underlayment and soft substrates will diminish the products inherent strength.
- Never use solvents or citrus adhesive removers to remove old adhesive residue. Solvent residue left in and on the subfloor may affect the new floor covering.

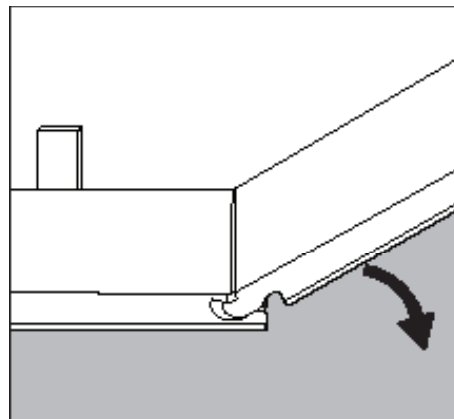
Radiant Heat: Radiant heat systems must have a minimum of 1/2" separation from the product. Maximum operating temperature should never exceed 85°F (30°C). Use of an in-floor temperature sensor is recommended to avoid overheating.

III. INSTALLATION

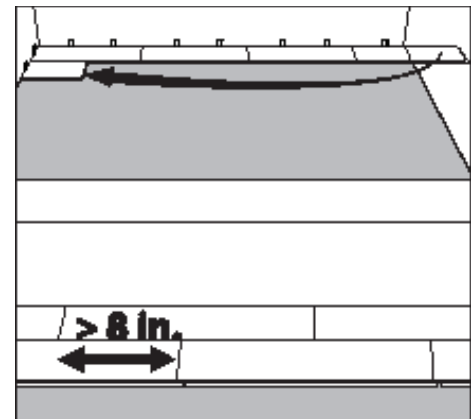
COREtec® is engineered to be installed utilizing the floating method. Do not install cabinets or fixed objects on top of the COREtec®. Proper expansion space is required. Undercut all doorjambs. Do not fasten wall moldings and or transition strips to the floor and planks.



Step 1: Begin installation working from left to right. Insert spacers at ends and edges where planks meet wall.

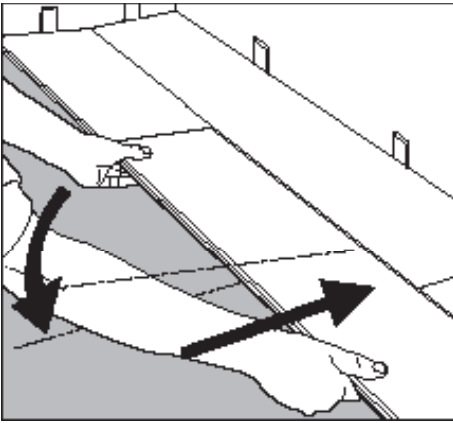


Step 2: Lock short end of plank by inserting tongue into groove at an angle and drop in place. Continue to end of first row.

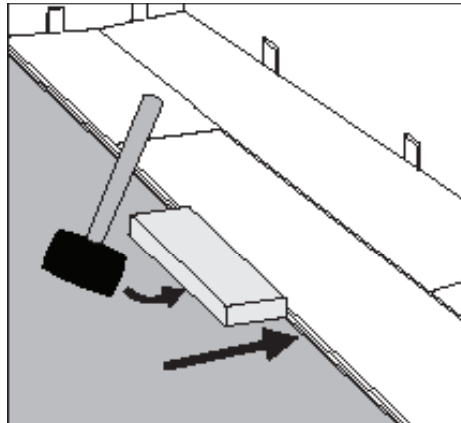


Step 3: Use leftover plank from first row as starter for second row. There must be at least 8" between plank end joints on adjacent rows.*

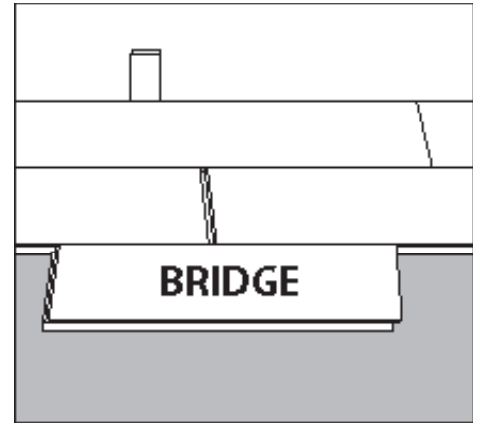
*FOR TILE INSTALLATIONS: The distance between end joints should be equal to 12" for proper appearance.



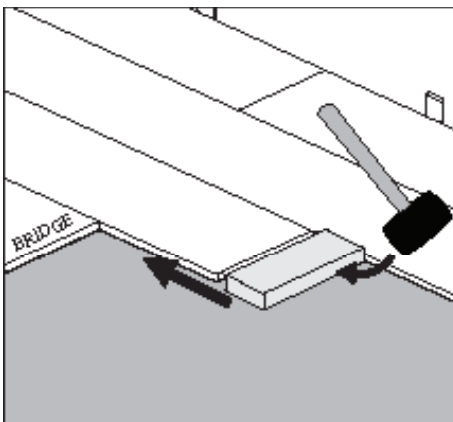
Step 4: Lock long edge of plank by inserting tongue into groove at an angle and drop in place. Slide plank toward end of previously installed plank until the tongue just touches the groove.



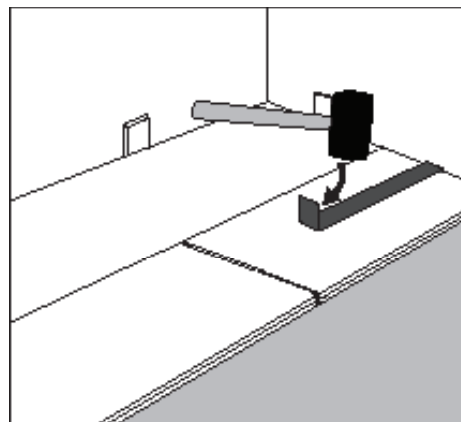
Step 5: IMPORTANT! Use hammer and tapping block to tap long edge of plank to ensure a tight fit. ANY GAPPING CAN COMPROMISE THE LOCKING SYSTEM!



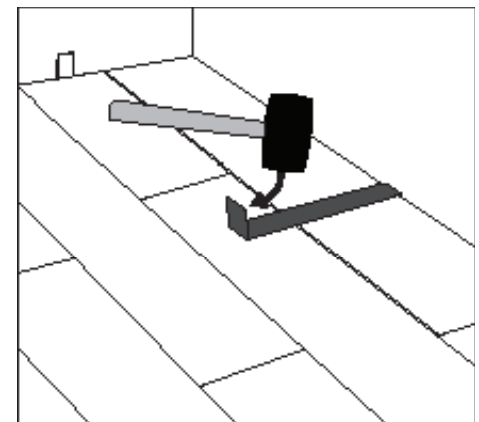
Step 6: Attach a scrap piece of floor to bridge gap between ends of planks.



Step 7: Tap end of plank with hammer and tapping block to lock ends of planks together. Remove bridge and continue towards wall until installing the final plank in the row. BE SURE TO TAP ON EDGE OF VINYL SO AS NOT TO DAMAGE LOCKING PROFILE.

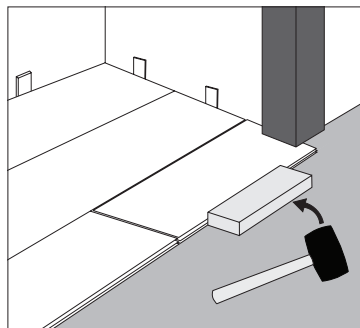


Step 8: Use hammer and pull bar to lock final piece in row. Insert spacer at end of row. Continue installation to final row.

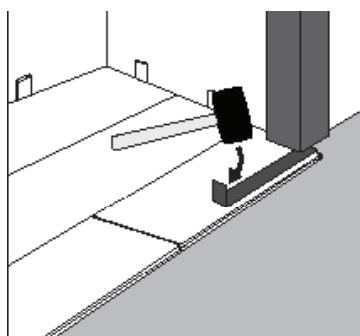


Step 9: Use hammer and pull bar to lock long edges of planks on final row.

INSTALLING UNDER DOOR JAMBS



Step 1: Undercut space under door jamb to allow plank to slide freely. Tap long edge with hammer and tapping block to



Step 2: Use hammer and pull bar to lock short end of plank.

More info available online:

Installation video:

<https://www.youtube.com/watch?v=RGi0YUcPs-MA>

Full Care and Maintenance instructions:

http://www.usfloorsllc.com/wp-content/uploads/2014/08/USF_Maint_COREtec-Plus_Res.pdf

Full Warranty information:

<http://www.usfloorsllc.com/technical-info/>

Newly Installed Floor Care

- Always use plywood or other boards when moving heavy objects across the floor.
- Sweep, dust mop or vacuum the floor to remove all loose dirt and grit.
- Lightly damp mop with well wrung mop.

Initial & Routine Maintenance (Daily or as needed)

- Sweep, dust mop or vacuum the floor to remove all loose dirt and grit. Do not use treated dust mops.
- Clean the floor using a properly diluted **Neutral pH cleaner** in cool water or ready to use spray cleaner that will not leave a residue such as Bona Professional Series Stone, Tile, and Laminate Cleaner in a pre-mixed spray bottle. **Follow label instructions.**

Over Time

Over time floors may begin to lose their luster and may require an application of floor polish. When and where you apply the floor polish will depend on the traffic the floor receives. A good quality floor polish like “Hilway Direct” can provide up to a year of protection in a high traffic area.

Floor Polish Application Directions:

1. Vacuum or dry sweep then damp mop floor to remove loose dirt and soil from floor. Thoroughly scrub and clean floor with Neutral pH cleaner to remove all soil. **Follow label instructions.**
2. Apply floor polish undiluted in a thin, even coat using a microfiber applicator mop. Do not use treated dust mops. **Follow label instructions.**
3. Apply 2-3 coats. Allow each coat to air dry completely (generally 30-60 minutes) before applying next coat.
4. Allow floor surface to dry overnight before heavy traffic use.

Prevention

The single greatest cause of damage to any flooring or floor finish is abrasion from dirt and grit. Wherever possible, use walk off mats at entrances and doorways. Use non-staining floor protectors under heavy furniture, chairs, and tables.

Where to Buy?

USFloors recommended maintenance products for Pacifica featuring COREtec can be purchased online at: www.1877floorguy.com/usflcoplevp.html